



7E & 7E/F CiTiceLs

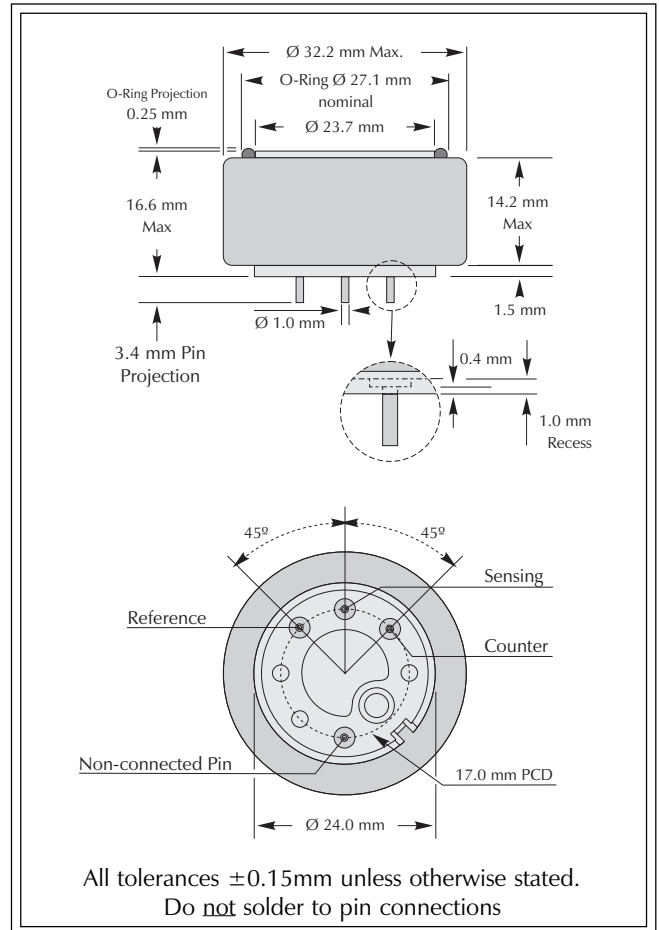
Performance Characteristics

Nominal Range	0-1000ppm
Maximum Overload	2000ppm
Inboard Filter (7E/F only)	To remove SO _x /NO _x & H ₂ S
Expected Operating Life	Three years in air
Output Signal	0.10 ± 0.02 µA/ppm
Resolution	0.5ppm
Temperature Range	-20°C to +50°C
Pressure Range	Atmospheric ± 10%
Pressure Coefficient	0.020 ± 0.008 %signal/mBar
T₉₀ Response Time	7E: ≤25 seconds 7E/F: ≤30 seconds
Relative Humidity Range	15 to 90% non-condensing
Typical Baseline Range (pure air)	-1 to +3ppm equivalent
Maximum Zero Shift (+20°C to +40°C)	9ppm equivalent
Long Term Output Drift	<5% signal loss/year
Recommended Load Resistor	10Ω
Bias Voltage	Not required
Repeatability	1% of signal
Output Linearity	Linear

N.B. All performance data is based on conditions at 20°C, 50%RH, and 1013mBar

Physical Characteristics

Weight	17g
Position Sensitivity	None
Storage Life	Six months in CTL container
Recommended Storage Temperature	0-20°C
Warranty Period	24 months from date of despatch (This amounts to a variation of condition 6 of our standard terms and conditions which otherwise apply)

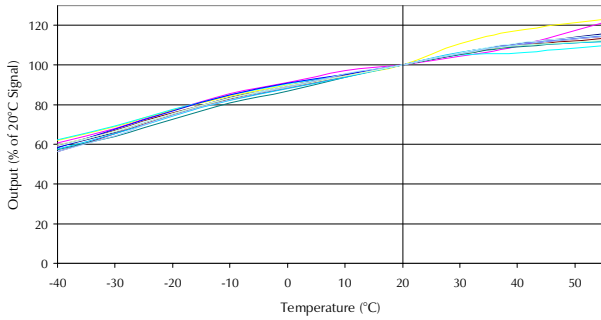


IMPORTANT NOTE: Connection should be made via PCB sockets only. Soldering to the pins will render your warranty void.

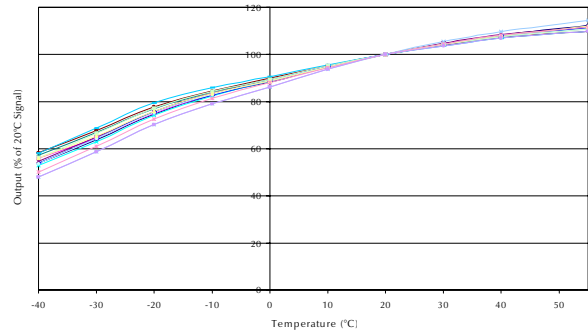
Doc. Ref.: 7E_7EF.p65
Issue 3.5: Aug 10, 1999



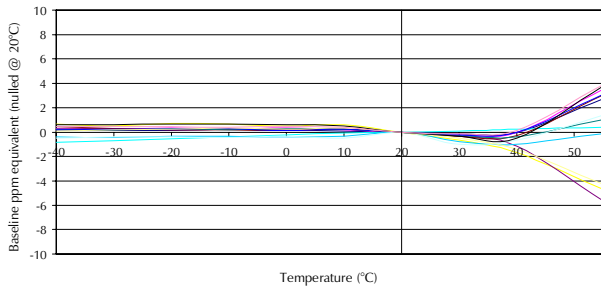
7E Carbon monoxide CiTiceL - Output vs Temperature



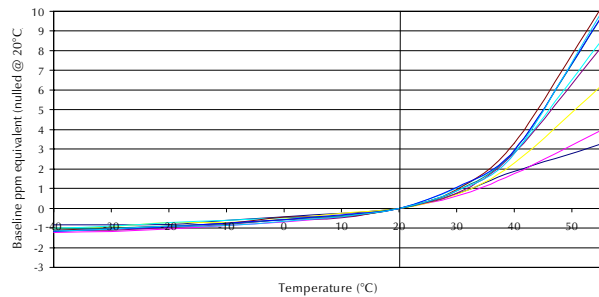
7E/F Carbon monoxide CiTiceL -Output vs Temperature



7E Carbon Monoxide CiTiceL - Baseline vs Temperature



7E/F Carbon Monoxide CiTiceL - Baseline vs Temperature



Cross-sensitivity Data

CiTiceLs may exhibit a response to certain gases in a sample other than the target gas. 7E and 7E/F CiTiceLs have been tested with a number of commonly cross-interfering gases and the results are given below. The table shows the typical response to be expected from a sensor when exposed to a given test gas concentration (relevant to safety, e.g. TLV levels).

Gas	Conc.	7E	Gas	Conc.	7E/F
Hydrogen sulphide:	15ppm	≈38ppm	Hydrogen sulphide:	15ppm	<0.3ppm
Sulphur dioxide:	5ppm	≈3ppm	Sulphur dioxide:	5ppm	0ppm
Nitric oxide:	35ppm	≈10ppm	Nitric oxide:	35ppm	≤7ppm
Nitrogen dioxide:	5ppm	≈-3ppm	Nitrogen dioxide:	5ppm	-1ppm ≤x≤ 0ppm
Chlorine:	1ppm	≈-0.5ppm	Chlorine:	1ppm	0ppm
Hydrogen:	100ppm	<60ppm	Hydrogen:	100ppm	<60ppm
Hydrogen cyanide:	10ppm	≈5ppm	Hydrogen cyanide:	10ppm	<2ppm
Hydrogen chloride:	5ppm	0ppm	Hydrogen chloride:	5ppm	0ppm
Ethylene:	100ppm	<100ppm	Ethylene:	100ppm	≤100ppm
			Ethanol:	200ppm	0ppm

For details of other possible cross-interfering gases contact City Technology.

Every effort has been made to ensure the accuracy of this document at the time of printing. In accordance with the company's policy of continued product improvement City Technology Limited reserves the right to make product changes without notice. No liability is accepted for any consequential losses, injury or damage resulting from the use of this document or from any omissions or errors herein. The data is given for guidance only. It does not constitute a specification or an offer for sale. The products are always subject to a programme of improvement and testing which may result in some changes in the characteristics quoted. As the products may be used by the client in circumstances beyond the knowledge and control of City Technology Limited, we cannot give any warranty as to the relevance of these particulars to an application. It is the clients' responsibility to carry out the necessary tests to determine the usefulness of the products and to ensure their safety of operation in a particular application.

Performance characteristics on this data sheet outline the performance of newly supplied sensors. Output signal can drift below the lower limit over time.



Distributed by:

Shawcity Ltd
 91-92 Shrivenham Hundred Business Park
 Watchfield, Oxfordshire, SN6 8TY
 Tel: 01793 780622
 Email: sensororders@shawcity.co.uk
 www.shawcity.co.uk