

Carbon Monoxide MediceLs[®]

A2E/F Characteristics

| | |
|-------------------------------------|------------------|
| Nominal Range | 0-200ppm |
| Maximum Overload | 1000ppm |
| Output Signal | 10.15±0.03µA/ppm |
| Typical Baseline Range (pure air) | <3ppm |
| Maximum Zero Shift (-20°C to +40°C) | <5ppm |
| Bias Voltage | Zero |
| Recommended Gain | 2.2 |
| Weight | 25g |

A3E/F Characteristics

| | |
|-----------------------------------|--------------------------|
| Nominal Range | 0-2000ppm |
| Maximum Overload | 4000ppm |
| Output Signal | 0.075±0.025µA/ppm |
| Typical Baseline Range (pure air) | -2 to +17ppm equivalent |
| Bias Voltage | ² 0 or +250mV |
| Recommended Gain | 0.5 to 2.5 |
| Weight | 26g |

Note 1: in recommended circuit with Gain=2.2

Note 2: User adjusts Gain to set H₂ to zero

Performance Characteristics

| | |
|-------------------------------|---|
| Inboard Filter | To remove acid gases/alcohol |
| Auxiliary Electrode | To compensate for H ₂ cross-interference |
| Expected Operating Life | 3 years |
| Resolution | 1ppm |
| Temperature Range | -20°C to +50 °C |
| Pressure | |
| Operating Range | 800-1200mBar |
| Storage Range | 800-1200mBar |
| Max Diff (capillary to amb.) | ±100mBar |
| Pressure Coefficient | 0.02% signal/mBar |
| T ₉₀ Response Time | <40 seconds |
| Relative Humidity Range | 15% to 90% non-condensing |
| Long Term Output Drift | <10% signal loss/year |
| Repeatability | 2% of signal |
| Output Linearity | Linear |

A2E/F Cross Sensitivity Data

| Gas | Response |
|--------------------------------------|------------|
| Hydrogen (H ₂) | -4 to + 4% |
| Hydrogen Sulphide (H ₂ S) | None |
| Sulphur Dioxide (SO ₂) | None |
| Nitric Oxide (NO) | None |
| Nitrogen Dioxide (NO ₂) | None |
| Hydrogen Chloride (HCl) | None |

A3E/F Cross Sensitivity Data

| Gas | Response |
|--------------------------------------|----------|
| Hydrogen (H ₂) | |
| Bias: 0mV | <5% |
| Bias: 250mV | <1% |
| Hydrogen Sulphide (H ₂ S) | None |
| Sulphur Dioxide (SO ₂) | None |
| Nitric Oxide (NO) | None |
| Nitrogen Dioxide (NO ₂) | None |
| Hydrogen Chloride (HCl) | None |

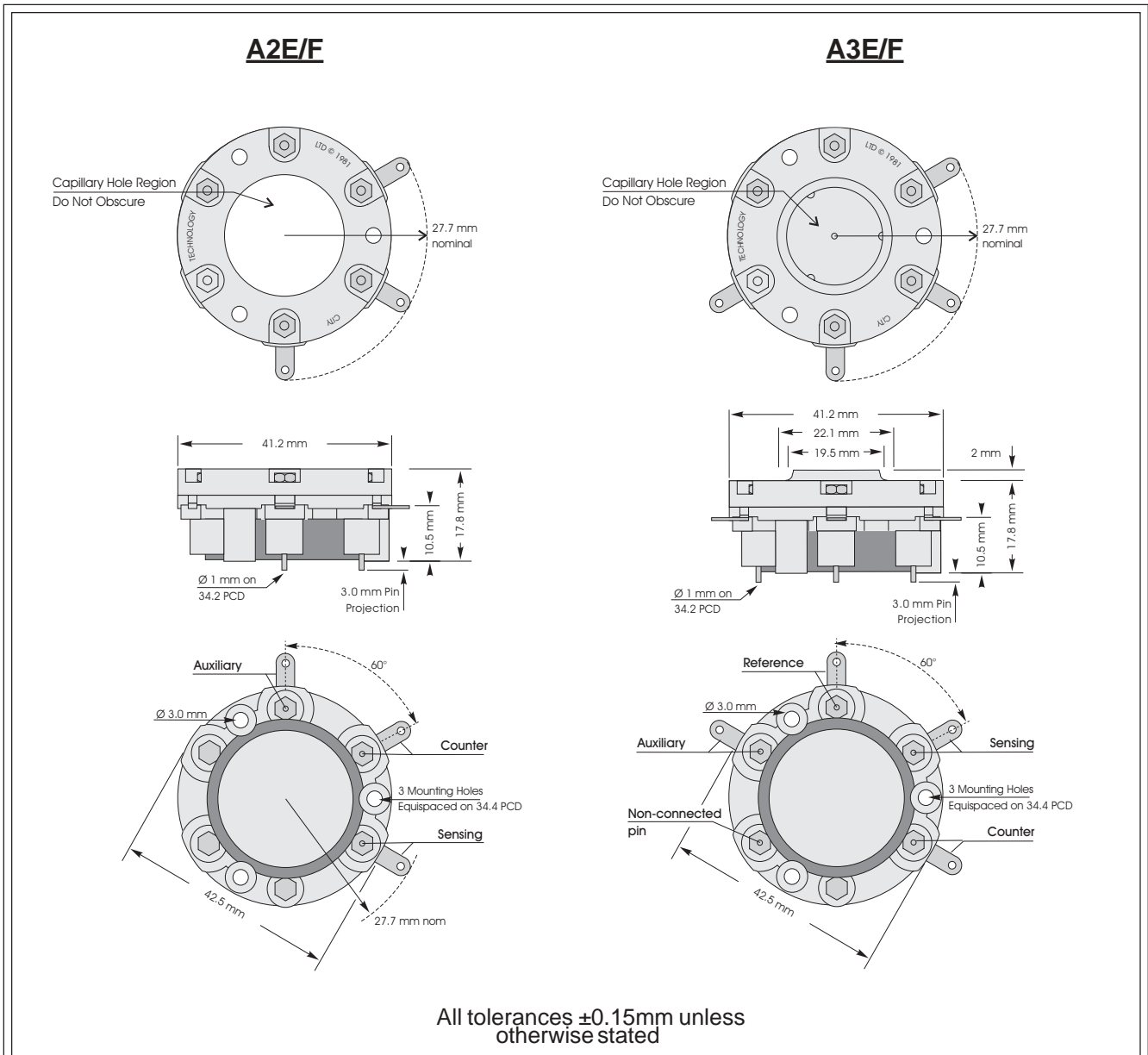
Products

| | |
|--------------|--|
| A2E/F | Two-electrode CO sensor with auxiliary electrode for H ₂ compensation |
| A3E/F | Three-electrode CO sensor with auxiliary electrode for H ₂ compensation |

Physical Characteristics

| | |
|---------------------------------|---------------------------------|
| Position Sensitivity | None |
| Storage Life | Six months in CTL container |
| Recommended Storage Temperature | 0-20°C |
| Colour Coded Ring | Red |
| Warranty Period | 12 months from date of despatch |

Carbon Monoxide MediceL[®] Specification



Every effort has been made to ensure the accuracy of this document at the time of printing. In accordance with the company's policy of continued product improvement City Technology Limited reserves the right to make product changes without notice. No liability is accepted for any consequential losses, injury or damage resulting from the use of this document or from any omissions or errors herein. The data is given for guidance only. It does not constitute a specification or an offer for sale. The products are always subject to a programme of improvement and testing which may result in some changes in the characteristics quoted. As the products may be used by the client in circumstances beyond the knowledge and control of City Technology Limited, we cannot give any warranty as to the relevance of these particulars to an application. It is the clients' responsibility to carry out the necessary tests to determine the usefulness of the products and to ensure their safety of operation in a particular application.

Performance characteristics on this data sheet outline the performance of newly supplied sensors. Output signal can drift below the lower limit over time.



Distributed by:
 Shawcity Ltd
 91-92 Shrivenham Hundred Business Park
 Watchfield, Oxfordshire, SN6 8TY
 Tel: 01793 780622
 Email: sensororders@shawcity.co.uk
www.shawcity.co.uk