



# T3SH CiTiceL

## Low Range 4-20mA Transmitter

### Performance Characteristics

<b>Sensor Type Used</b>	3SH
<b>Expected Operating Life</b>	Two years in air
<b>Resolution</b>	0.1ppm
<b>Temperature Range</b>	-20°C to +50°C
<b>Pressure Range</b>	Atmospheric ± 10%
<b>Pressure Coefficient</b>	No data
<b>T<sub>90</sub> Response Time</b>	≤15 seconds
<b>Relative Humidity Range</b>	15 to 90% non-condensing
<b>Maximum Zero Shift (+20°C to +40°C)</b>	0.1ppm equivalent
<b>Long Term Output Drift</b>	<2% signal loss/month
<b>Repeatability</b>	2% of signal
<b>Output Linearity</b>	Linear

N.B. All performance data is based on conditions at 20°C, 50%RH, and 1013mBar

### Electrical Properties

<b>Output</b>	4-20mA d.c.
<b>Power Supply Required</b>	10 to 35V d.c. single-ended
<b>Calibration</b>	Via built-in span and zero potentiometers
<b>Output Impedance</b>	4MΩ

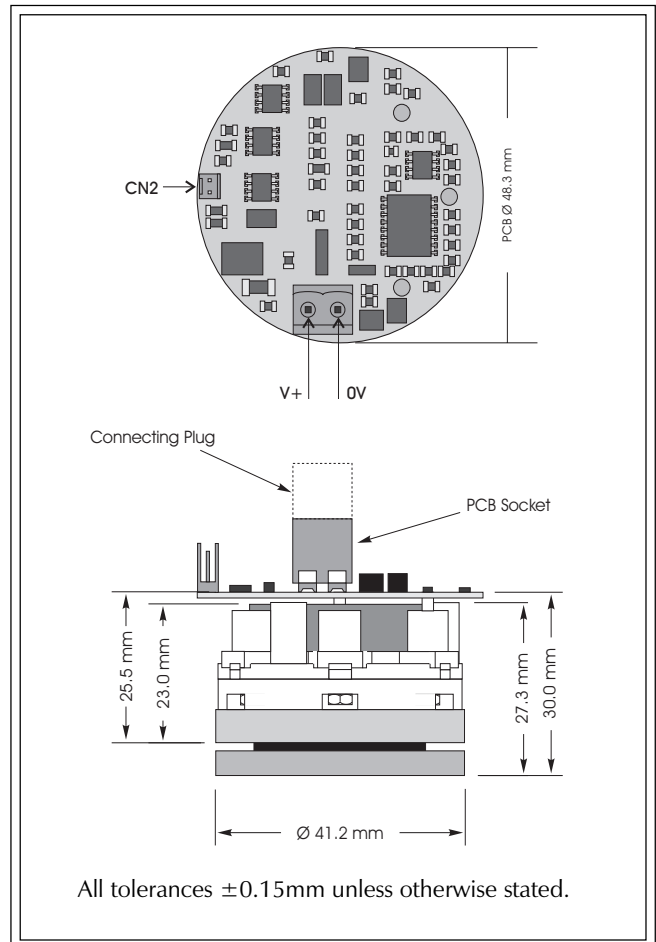
### Physical Characteristics

<b>Weight</b>	58g (incl. mounting accessory)
<b>Position Sensitivity</b>	None
<b>Storage Life</b>	Six months in CTL container
<b>Recommended Storage Temperature</b>	0-20°C
<b>Warranty Period</b>	12 months from date of despatch

### Ranges Available

3SH CiTiceL 4-20mA Transmitters are available with the following precalibrated ranges, and can be recalibrated to an intermediate range:

Range	Order Code
0-5ppm .....	TD9A-1A
0-10ppm .....	TD9B-1A
0-20ppm .....	TD9C-1A
0-30ppm .....	TD9D-1A
0-50ppm .....	TD9E-1A
0-100ppm .....	TD9F-1A



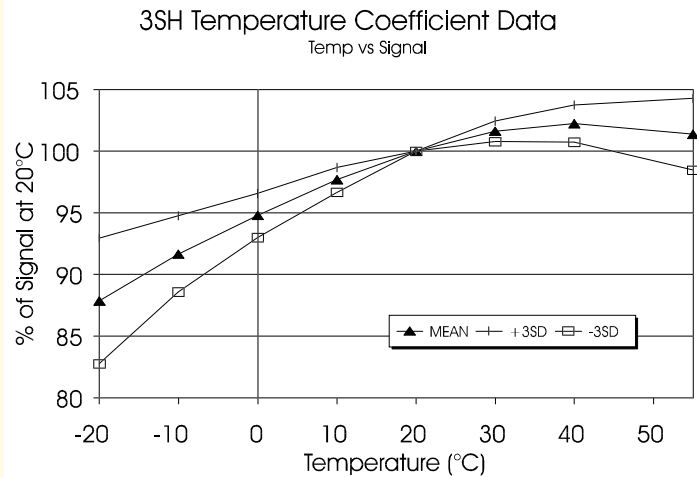


**Distributed by:**  
 Shawcity Ltd  
 91-92 Shrivenham Hundred Business Park  
 Watchfield, Oxfordshire, SN6 8TY  
 Tel: 01793 780622  
 Email: sensororders@shawcity.co.uk  
 www.shawcity.co.uk

## Temperature Dependence

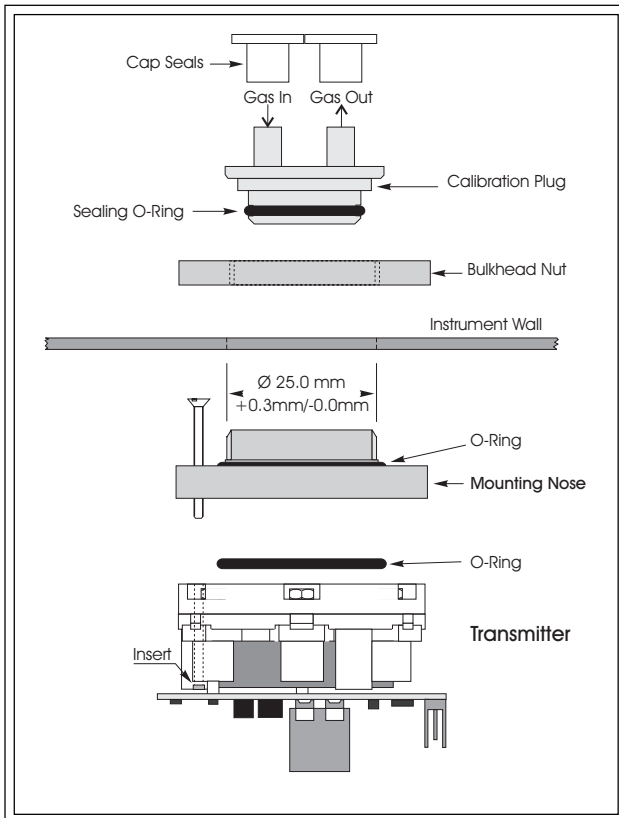
The output of a CiTiceL can vary with temperature. The graph here shows the variation in output with temperature for 3SH CiTiceLs based on a sample of about 16 sensors. The results are shown in the graph as a mean for the batch, and expressed as a percentage of the signal at 20°C.

From a statistical viewpoint, for a sample of this size, the range in values observed for all sensors of this type will fall within a range three times the standard deviation above or below the mean. Assuming therefore this sample is typical, then the temperature behaviour of all 3SH CiTiceLs will fall in the band +3SD to -3SD.



## Mounting

A diffusion mounting assembly, the "nose" adaptor, is supplied with CiTiceL transmitters for convenient mounting in a wide range of weatherproof housings. The nose adaptor requires a 25mm diameter hole in the outside wall of the housing to allow installation. The assembly is shown below.



The Mounting Nose also features a plug for easy zeroing and exposure to gas during calibration. A bonded membrane and mesh is included to prevent the ingress of dirt and dust particles to the CiTiceL.

## Cross-sensitivity Data

CiTiceLs may exhibit a response to certain gases in a sample other than the target gas. 3SH CiTiceLs have been tested with a number of commonly cross-interfering gases and the results expressed below as the typical response to be expected from a sensor when exposed to a given test gas concentration (relevant to safety, e.g. TLV levels).

Gas	Conc.	3SH
<b>Carbon monoxide:</b>	300ppm	≤3ppm
<b>Hydrogen sulphide:</b>	15ppm	≈20ppm
<b>Nitric oxide:</b>	35ppm	0ppm
<b>Nitrogen dioxide:</b>	5ppm	≈6ppm
<b>Chlorine:</b>	1ppm	≈0.5ppm
<b>Hydrogen:</b>	100ppm	0ppm
<b>Hydrogen cyanide:</b>	10ppm	≈5ppm
<b>Hydrogen chloride:</b>	5ppm	≈0.5ppm
<b>Ethylene:</b>	100ppm	0ppm

\*\*For details of other possible cross-interfering gases contact City Technology.\*\*

Every effort has been made to ensure the accuracy of this document at the time of printing. In accordance with the company's policy of continued product improvement City Technology Limited reserves the right to make product changes without notice. No liability is accepted for any consequential losses, injury or damage resulting from the use of this document or from any omissions or errors herein. The data is given for guidance only. It does not constitute a specification or an offer for sale. The products are always subject to a programme of improvement and testing which may result in some changes in the characteristics quoted. As the products may be used by the client in circumstances beyond the knowledge and control of City Technology Limited, we cannot give any warranty as to the relevance of these particulars to an application. It is the clients' responsibility to carry out the necessary tests to determine the usefulness of the products and to ensure their safety of operation in a particular application. Performance characteristics on this data sheet outline the performance of newly supplied sensors. Output signal can drift below the lower limit over time.