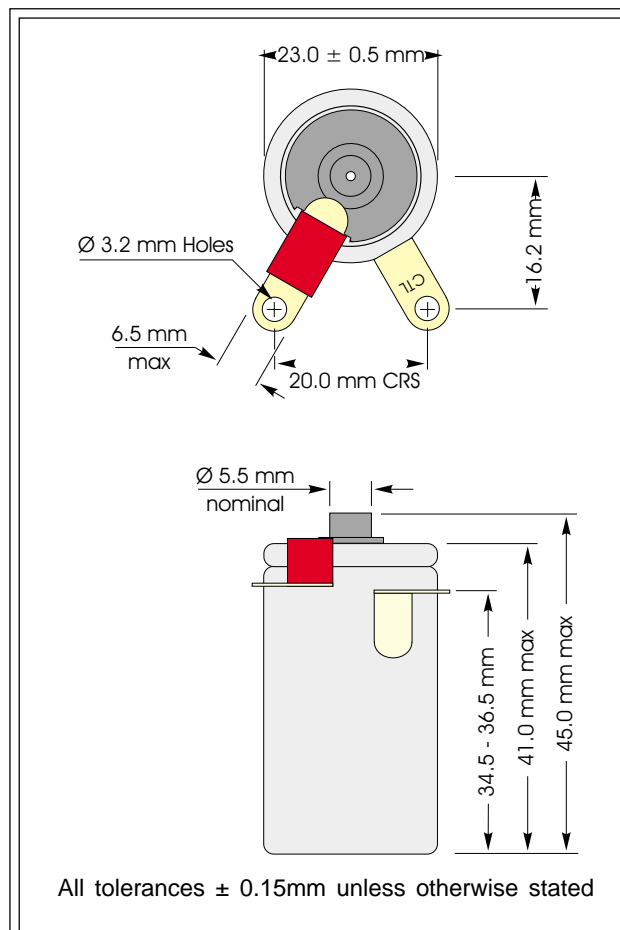


C/NLL CiTiceL[®]

Performance Characteristics

Nominal Range	0-2ppm
Max Overload	0-1000ppm
Expected Operating Life	See below
Output Signal	50-70mV in air with a 10 Ω load resistor
T₉₅ Response Time	<20 secs
Temperature Range	-20°C to +50°C
Temperature Coefficient	0.2% signal/°C
Pressure Range	Atmospheric \pm 10%
Operating Humidity	0 to 99% RH non-condensing
Long Term Output Drift	<5% signal loss/year
Linearity	Linear
Purge Time (Ambient air to <10ppm)	<6hours
Storage Life	Six months in CTL container
Recommended Storage Temp.	0-20°C
Warranty Period	12 months from date of despatch

N.B. All performance data is based on conditions at 20°C, 50%RH, and 1013mBar



Operating Life

The operating life of a C/NLL Oxygen CiTiceL is inversely proportional to the amount of oxygen the sensor consumes. As City Technology has no knowledge of the operating conditions of any particular application, the company cannot give any guarantee with regard to the life of the sensor. However the following guidelines should be of use:

Under normal operating conditions (i.e. ppm levels) the sensor has a large excess capacity, and there will only be a gradual loss of sensitivity. It is recommended, however, that the sensor is changed every year to maintain the optimum sensitivity.

It is not advisable to use these sensors in ambient air, or to keep them on load in air for long periods. This will considerably decrease the life of the sensor.

Doc. Ref.: CNLL.p65
Issue 1.5 Jan 11, 2001



Distributed by:

Shawcity Ltd
91-92 Shrivenham Hundred Business Park
Watchfield, Oxfordshire, SN6 8TY
Tel: 01793 780622
Email: sensororders@shawcity.co.uk
www.shawcity.co.uk

Every effort has been made to ensure the accuracy of this document at the time of printing. In accordance with the company's policy of continued product improvement City Technology Limited reserves the right to make product changes without notice. No liability is accepted for any consequential losses, injury or damage resulting from the use of this document or from any omissions or errors herein. The data is given for guidance only. It does not constitute a specification or an offer for sale. The products are always subject to a programme of improvement and testing which may result in some changes in the characteristics quoted. As the products may be used by the client in circumstances beyond the knowledge and control of City Technology Limited, we cannot give any warranty as to the relevance of these particulars to an application. It is the clients' responsibility to carry out the necessary tests to determine the usefulness of the products and to ensure their safety of operation in a particular application.

Performance characteristics on this data sheet outline the performance of newly supplied sensors. Output signal can drift below the lower limit over time.