

3SF CiTiceL

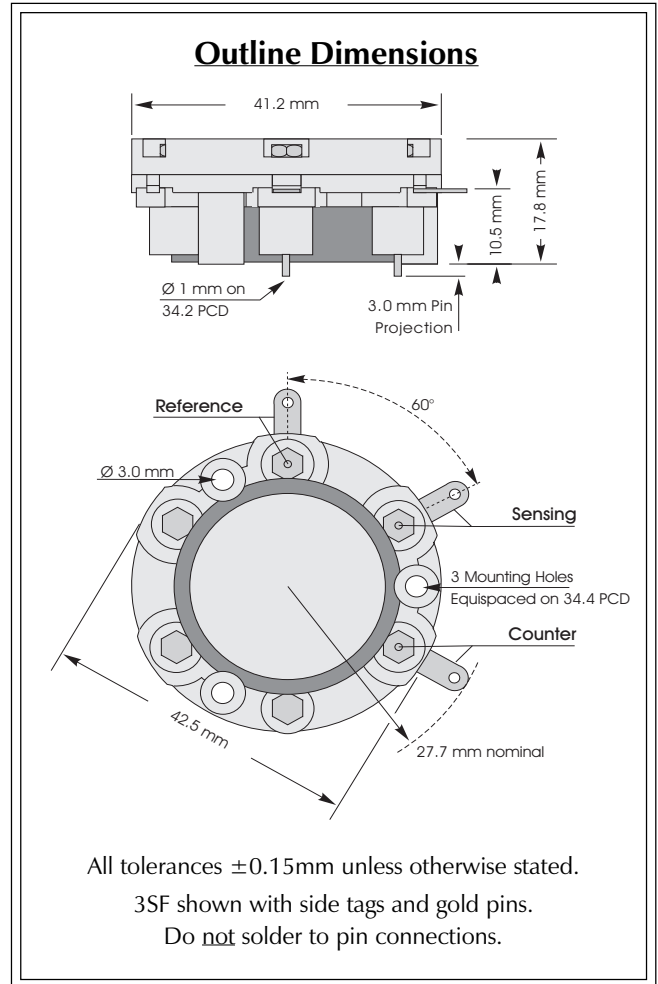
Performance Characteristics

Nominal Range	0-2000ppm
Maximum Overload	5000ppm
Expected Operating Life	Two years in air
Output Signal	0.10 ± 0.02µA/ppm
Resolution	1ppm
Temperature Range	-20°C to +50°C
Pressure Range	Atmospheric ± 10%
Pressure Coefficient	0.004 % signal/mBar
T₉₀ Response Time	<30 seconds
Relative Humidity Range	15 to 90% non-condensing
Typical Baseline Range (pure air)	0 ± 2ppm equivalent
Maximum Zero Shift (+20°C to +40°C)	5ppm equivalent
Long Term Output Drift	<2% signal loss/month
Recommended Load Resistor	10 Ω
Bias Voltage	Not required
Repeatability	1% of signal
Output Linearity	Linear

N.B. All performance data is based on conditions at 20°C, 50%RH, and 1013mBar

Physical Characteristics

Weight	22g
Position Sensitivity	None
Storage Life	Six months in CTL container
Recommended Storage Temperature	0-20°C
Warranty Period	12 months from date of despatch

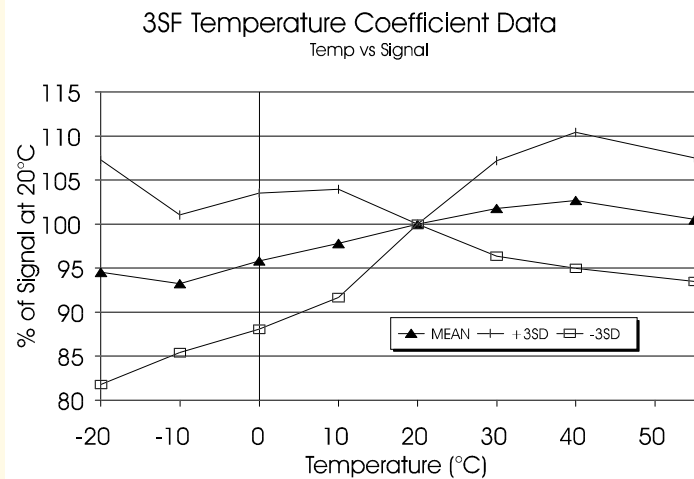




Temperature Dependence

The output of a CiTiceL can vary with temperature. The graph here shows the variation in output with temperature for 3SF CiTiceLs based on a sample of about 16 sensors. The results are shown in the graph as a mean for the batch, and expressed as a percentage of the signal at 20°C.

From a statistical viewpoint, for a sample of this size, the range in values observed for all sensors of this type will fall within a range three times the standard deviation above or below the mean. Assuming therefore this sample is typical, then the temperature behaviour of all 3SF CiTiceLs will fall in the band +3SD to -3SD.



Cross-sensitivity Data

CiTiceLs may exhibit a response to certain gases in a sample other than the target gas. The table below shows the typical response of 3SF sensors to a number of common cross-interfering gases. The figures are expressed as a percentage of the primary sensitivity (i.e. sulphur dioxide = 100%).

Gas	Response	Gas	Response
Carbon monoxide:	<3.5	Hydrogen:	<3
Hydrogen sulphide:	≈200	Hydrogen chloride:	≈15
Nitric oxide:	0	Ethylene:	<50
Nitrogen dioxide:	≈-125	** For details of other possible cross-interfering gases contact City Technology.**	

Ordering Information

The 3SF Sulphur Dioxide CiTiceL is available with side tags, gold-plated PCB pins, or both PCB pins and side tags. To ensure the appropriate option is supplied care must be taken to provide the correct code when ordering.

Type 3SF:-	With side tag and PCB pin connections - 3SF With side tag connection - 3SF(S) With gold-plated PCB pin connection - 3SF(G)
-------------------	---

Every effort has been made to ensure the accuracy of this document at the time of printing. In accordance with the company's policy of continued product improvement City Technology Limited reserves the right to make product changes without notice. No liability is accepted for any consequential losses, injury or damage resulting from the use of this document or from any omissions or errors herein. The data is given for guidance only. It does not constitute a specification or an offer for sale. The products are always subject to a programme of improvement and testing which may result in some changes in the characteristics quoted. As the products may be used by the client in circumstances beyond the knowledge and control of City Technology Limited, we cannot give any warranty as to the relevance of these particulars to an application. It is the clients' responsibility to carry out the necessary tests to determine the usefulness of the products and to ensure their safety of operation in a particular application.

Performance characteristics on this data sheet outline the performance of newly supplied sensors. Output signal can drift below the lower limit over time.